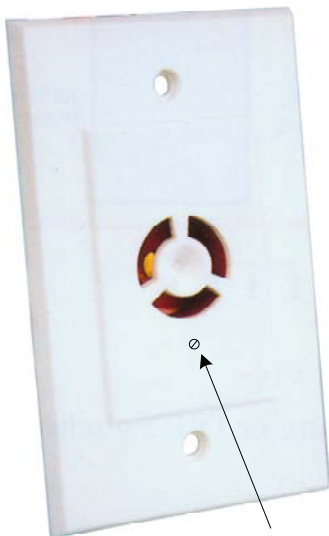


**EE518SPK
EE668SPK**



EE518SPK

The mini surface mount eSpeaker station EE518SPK (1-1/2" 8ohm 1W) with volume control provide a flexible application for EE668VIF, EE508VIF and EE518 or any type audio systems. The high quality design and excellent frequency response: 80HZ ~ 18KHZ. Weather-proofing.

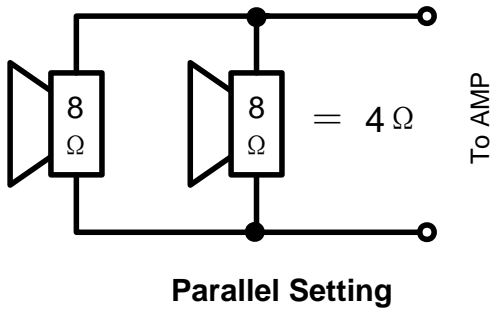


EE668SPK

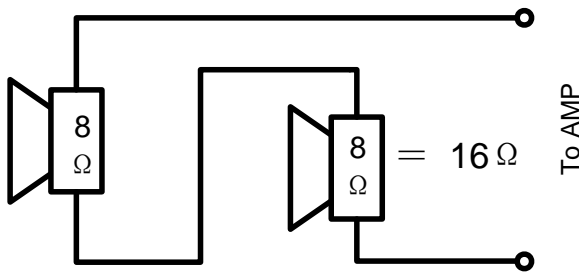
The mini flush mount eSpeaker station EE668SPK (1-1/4" 8ohm 0.5W) with volume control provides a flexible application for EE668VIF, EE508VIF and EE518 or any type audio systems. The high quality design and excellent frequency response: 100HZ ~ 15KHZ.

**EE518SPK
EE668SPK**

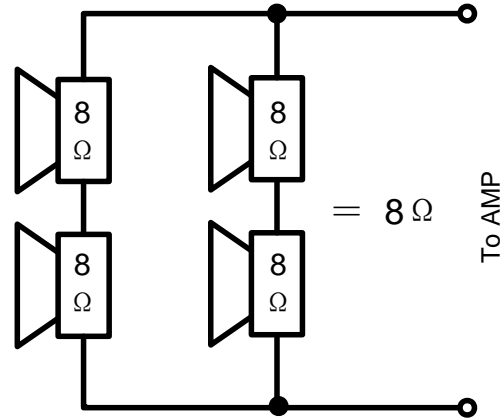
Typical Speaker Setting



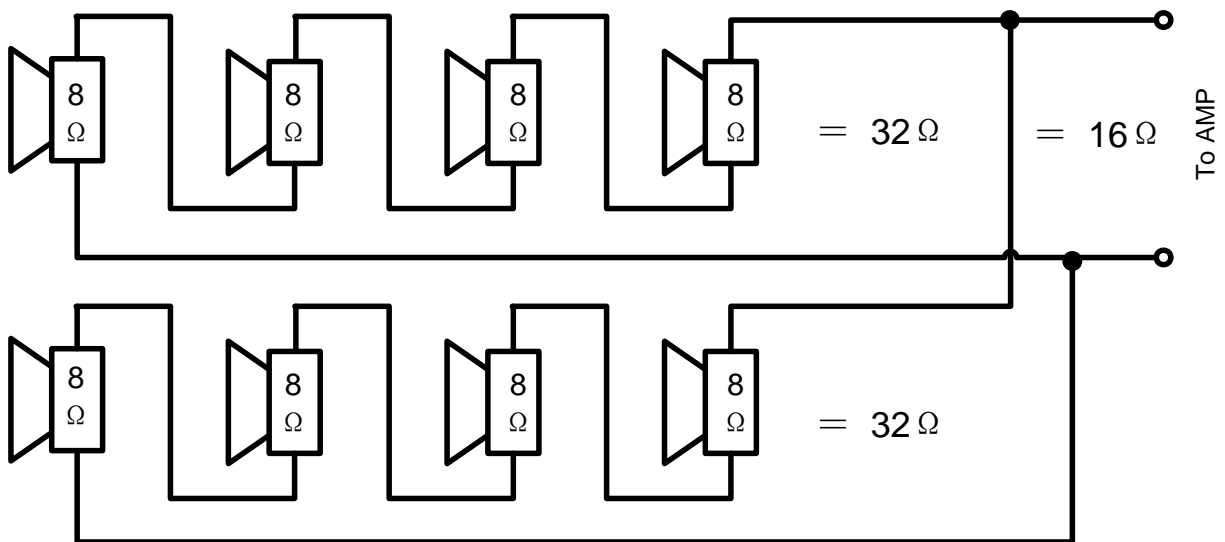
Parallel Setting



Series Setting



Multiple Setting



Multiple Setting